

## ***The Heat Inside***

### ***StormShield* HEATED MOTORCYCLE GLOVE USER INSTRUCTIONS**

#### **WELCOME**

Your high performance StormShield heated gloves have been designed to provide warmth and comfort to enhance the safety and enjoyment of your motorcycle riding experience.

The internal piping system delivers heat to all the right places. You can link the StormShield gloves to your StormRider heated bodywarmer and/or to the optional StormRider Controller Unit.

Not only does this glove remove the curse of frozen fingers, it is an excellent product for serious all-year around motorcyclists (see spec):



#### **PRODUCT CONTENTS**

- StormShield Heated Motorcycle Glove (Pair)
- Motorcycle fused power cable
- Long Harness (See diagram)
- Y-Connector (See diagram)

## CONNECTING TO THE MOTOR CYCLE

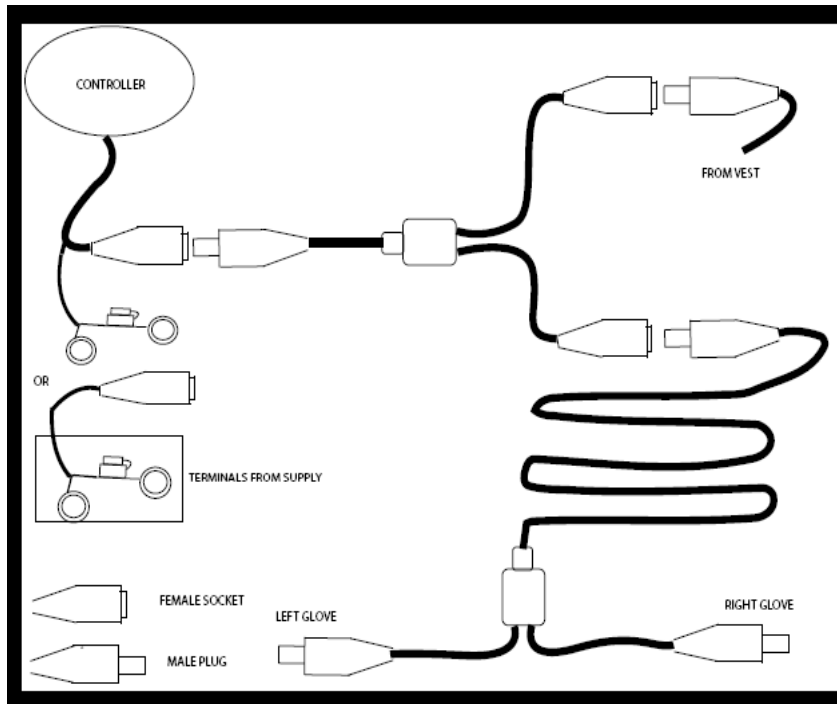
- The StormShield Gloves are simple to operate and set-up.
- Every pair comes supplied with a standard power cable, which has an inline 10 Amp fuse. One ringed terminal should be connected to the motorcycle battery positive terminal. The other should be connected to the battery negative terminal.
- To operate the StormShield Gloves, simply place the supplied glove (Long) Harness around your shoulders, threading a line down each jacket sleeve to connect with your gloves. The other line will run down the back (or front if preferred) to meet with the inline fused power cord or optional StormRider Controller Unit (if selected). Remember to use the included Y-Connector cable when you wish to run your StormShield Gloves off the same power supply as your StormRider Bodywarmer (see diagram).

## STORMSHIELD SPECIFICATION

1. Waterproof, Windproof & Breathable Porelle Insert for **Comfort and Safety**.
2. Back & Cuff in Cordura with Cowhide Leather water-repellent reinforcements for **Comfort**.
3. Moulded PVC Knuckle Protectors covered with Carbo-Leather for **Safety**.
4. Carbo-Leather reinforcements on cuffing and little finger for **Safety**.
5. Hook & Loop wrist and cuff closure for **Comfort and Safety**.
6. Visor Wipe on each thumb for **Safety**.
7. Polyester cloth lining for **Comfort**.
8. Foam insulation at Palm and Back for **Comfort and Safety**.
9. Palm made with Amara Synthetic Leather (60% polyester/nylon + 40% polyurethane) for **Flexibility and Grip**
10. Long Harness for wearing around the shoulders, down back/front underneath jacket to meet fused motorcycle power cable and threading along each jacket sleeve to link with StormShield Gloves. Also supplied is Y-Connector for linking to StormRider Bodywarmer and/or StormRider Controller if desired.
11. exo<sup>2</sup> Branding Strip

**Please Note:** The StormShield heated glove system is not designed to be used under water.

## CONNECTION DIAGRAM



## TROUBLESHOOTING

### What happens if my heated gloves are torn?

**DO NOT** attempt to replace or interfere with the electrical components in the heated gloves. Return the item to *exo2 The Heat Inside* for repair.

### What happens if my heated gloves do not get warm?

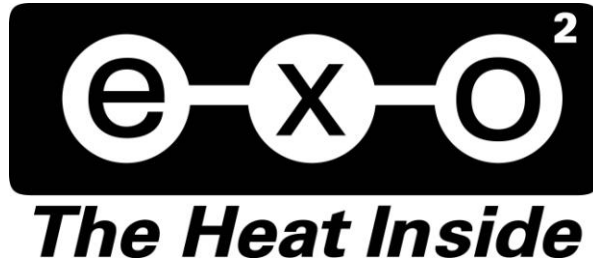
First, check to ensure that the gloves are connected to a power source, via either the supplied glove harness and fused motorcycle power cord or the optional StormRider Controller Unit (leading to the motorcycle battery). Where the source will be shared with the StormRider Bodywarmer, please ensure the Y-Connector is linked to both glove harness and StormRider main power cable (right hand pocket of Bodywarmer as worn).

## WARRANTY

Every pair of heated gloves is supplied with a one-year warranty covering all electronic and mechanical failures. In the unlikely event that any part should fail because of a defect within the first year, return it to us and we will repair or replace it free of charge.

**Note:** *The warranty does not cover intentional alterations, accidental damage or improper cleaning.*

Should you have any questions about your heated products, please contact:



**Customer Service**

**exo<sup>2</sup> The Heat Inside, NA, LLC**

**300 Lester Mill Road**

**Suite 220**

**Locust Grove, GA 30248**

**TEL: 1-877-exo2-HEAT**

**WEB: [www.exo2theheatinside.com](http://www.exo2theheatinside.com)**

**E-mail: [info@exo2theheatinside.com](mailto:info@exo2theheatinside.com)**